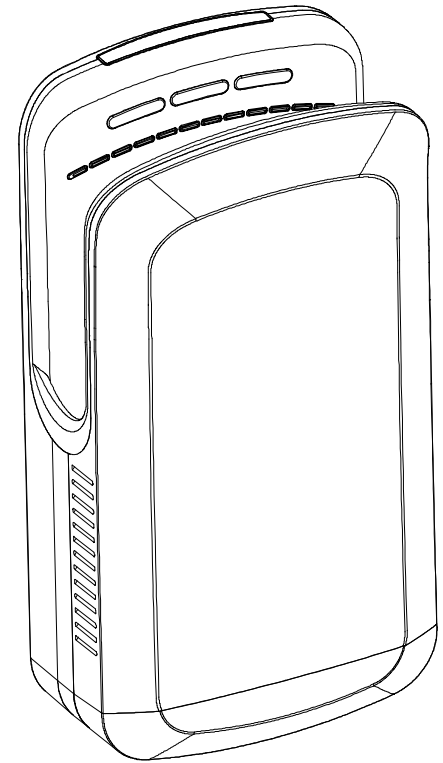


# Jet Hand Dryer

---

# User Manual



# User Manual








Thank you for choosing the High Speed Hand Dryer. We are professional on R&D of high-speed hand dryers.

Please read this manual before using the unit to ensure safe and correct Installation or operation. Please keep this manual in a safe place for reference at a later date.

## Contents

Cautions .....	2
Instructions .....	3
Features .....	3
Method .....	3
Specifications .....	3
Parts Name .....	4
Dimensions .....	6
Precaution before Installation .....	7
Installation .....	9
Test Run .....	12
Maintenance .....	13
Troubleshooting .....	16
Electrical Schematic .....	17

# Cautions

 <p>Prohibited</p>	<ul style="list-style-type: none"> <li>● <b>Do not open the front panel</b> — Otherwise it may cause electric shock risk</li> <li>● <b>Do not let children hanging on the unit</b> — Otherwise the unit may be risk of falling</li> </ul>	 <p><b>Warning</b> Improper use may result in personal injury accidents</p>
 <p>Prohibit the use in bathrooms and showers!</p>	<ul style="list-style-type: none"> <li>● <b>Do not use in places where water is directly splashed or in places where it is prone to freezing</b> — Otherwise it may cause electric shock and unit malfunction</li> </ul>	
 <p>Do not spray water</p>	<ul style="list-style-type: none"> <li>● <b>Do not splash water</b> — Otherwise it may cause electric shock risk</li> </ul>	
 <p>Prohibition of disassembling</p>	<ul style="list-style-type: none"> <li>● <b>Do not reform and perform unnecessary disassembling</b> — Otherwise it may cause fire, electric shock and injury accidents</li> </ul>	
 <p>Please follow with instructions</p>	<ul style="list-style-type: none"> <li>● <b>Power must be turn off during maintenance</b> — Otherwise it may cause electric shock risk</li> <li>● <b>Please use AC power</b> — If the rated voltage exceeds 10%, the unit will malfunction. It may cause fire, electric shock and unit malfunction if an incorrect power source is used.</li> <li>● <b>Use fixed lines</b> — If used in combination with other appliances, it may cause abnormal heat in the shunt outlet and cause fire.</li> <li>● <b>Drain tank and air filter must be installed before using unit</b> — It may cause leakage or electric shock accidents if water enters the unit.</li> <li>● <b>If the unit is not working work or have abnormal conditions, please cut off the power to prevent accidents; and also to turn off the leakage circuit breaker, and then contact the supplier to check or maintenance.</b> — Otherwise it may result in fire accidents due to electric shock, leakage, and short circuit.</li> </ul>	
 <p>Warning</p>	<ul style="list-style-type: none"> <li>● Attention when installation: Do not install when the unit is power connected.</li> <li>● It must operated by the professional construction person when install the unit. If the construction incorrect, it may cause electric shock and fire accident.</li> <li>● This appliance is not intended for use by persons (including children) with reduced physical, sensory or mental capabilities, or lack of experience and knowledge, unless they have been given supervision or instruction concerning use of the appliance by a person responsible for their safety. If the cord is damaged, it must be replaced by the manufacturer, its service agent or similarly qualified persons in order to avoid a hazard. For additional pertection, the installation of a residual current device (RCD) having a rated residual operating current not exceeding 30 mA is advisable in the electrical circuit supplying the bathroom.</li> </ul>	

Features

High speed air flow, fast dry your hands within 7 seconds.

Five safety protection: overtime protection, over-current protection, overheat protection, short circuit protection, motor anti-blocking.

Removable drain tank, keeps the ground clean.

Dual wave – shape outlets enable faster dry and makes lower noise.

Method

- Put your hands into the dry hand area, the machine will automatically activate high-speed wind, the user can slowly move up and down until dry their hands. When leaving the outlet for about 0.5 seconds, it automatically cuts off the power and stops working.
- The unit is equipped with a heating switch. When hot air is needed, please turn on the heating switch.
- When the hand dryer is continuously working for more than 30 seconds, the power will be turn off automatically to prevent the machine from continuing to operate due to the item attached to the sensor. When the hand reaches into the machine again, the machine starts normally.

**1 No need windpipe**

Airflow principle  
Drain tank  
Air inlet

- separate air supply, quite hygienic
- No drip comes into the unit

**2 High/Low Sensors**

Start receiving sensor  
Start transmitting sensor

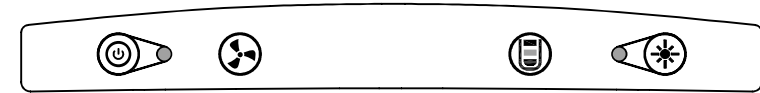
- Prevent water drops from splattering on the body

**3 Design in accordance with human engineering.**

- ease of use

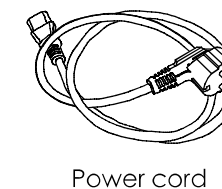
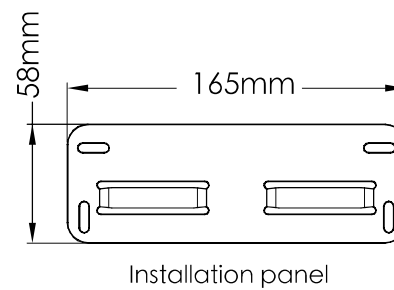
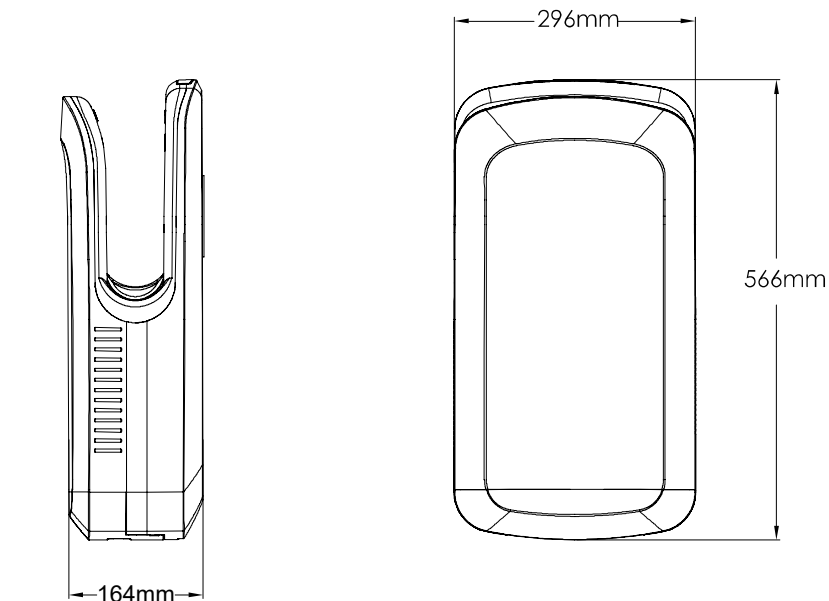
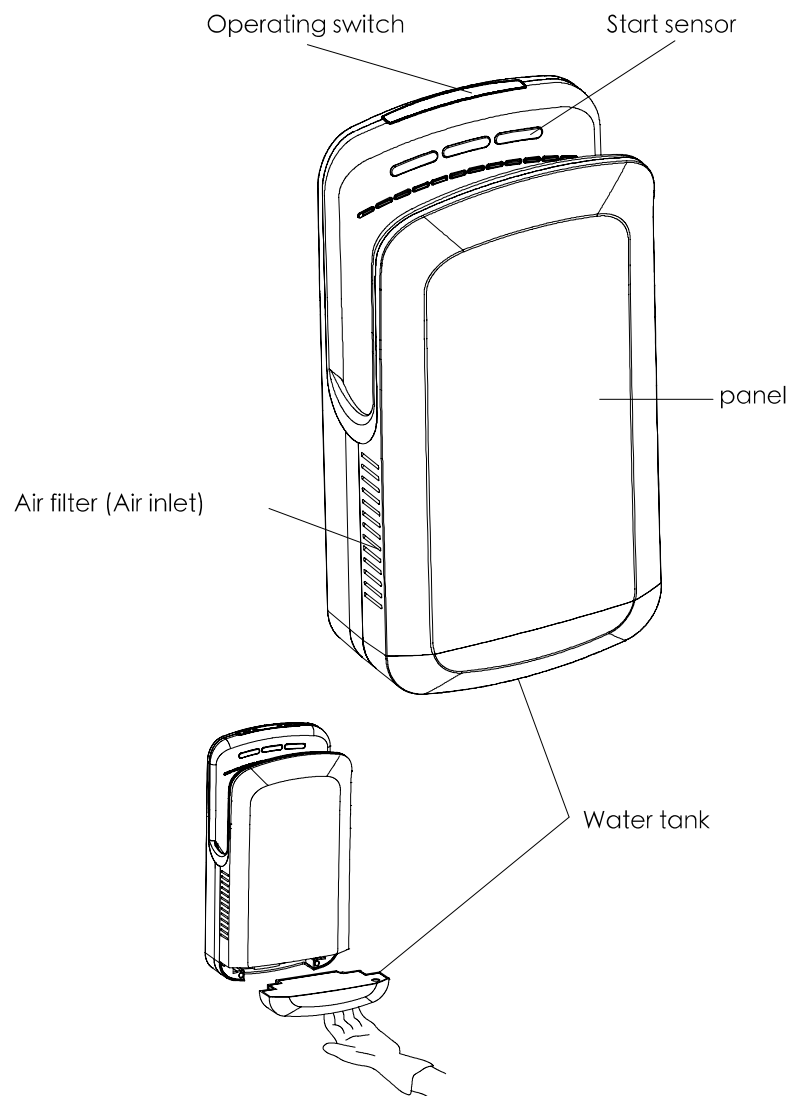
Specifications

Voltage	AC220-240V	Rated Current	9A
Frequency	50/60Hz	Induction Method	IR Blocking
Rated Power	1800-2000W	Protection Class	Class I
Air Speed	85-105 m/s	Waterproof	IPX4
Heat Power	1200W	Dimension	566x296x164 mm
Motor Power	680W	Weight	6.5kgs



Switch and indicator descriptions

- Power switch: Press the Power switch, turn ON the power supply, power indicator lamp lights up. Press this switch for 3 seconds, turn OFF the power supply.
- Air Speed switch: Press the Air Speed switch, high speed and low speed switches are changeable. Power indicator lamp is red when the high speed switch is turned on, while the power lamp is green when the low speed switch is turned on.
- Forced Heating switch: Press the Force Heating switch, the indicator lamp is red, without considering the ambient temperature.



Accessories

- Installation Panel fixed screw----- 6  
(4x25 tapping screw)
- Installation panel----- 1
- Power cord----- 1
- Manual----- 1

※Unit dimensions: 566x296x164mm weight:7.0kg

※Package dimensions: 605x350x240mm weight:8.5kg

### 1. Precautions before Installation

Do not install the product (power cord) with power on.

When installing the unit, it must be select a suitable place and install it by a professional

— Otherwise there is a risk of injury due to falling of the unit

Wear gloves when installing

— You may be injured if you do not wear gloves



Before installation, please make sure that the power supply provided is in accordance with the specifications of the device.

Install a leakage breaker in the process of installing the hand dryer

### 2. Do not install in the following types of location (Otherwise this may cause malfunction)

Locations where the temperature can exceed  $-10^{\circ}\text{C}$  or  $40^{\circ}\text{C}$ .

Locations where the unit may come into direct contact with water.

Locations where the unit is under direct or strong sunlight.

Locations where easy to condensation.

Locations where corrosive, neutral or reductive gases are present.

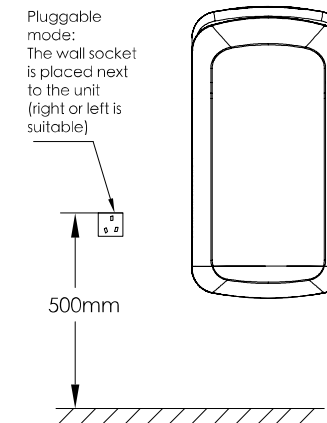
Locations where sea level lower than 0m or higher than 2000m.

### 3. Installation location

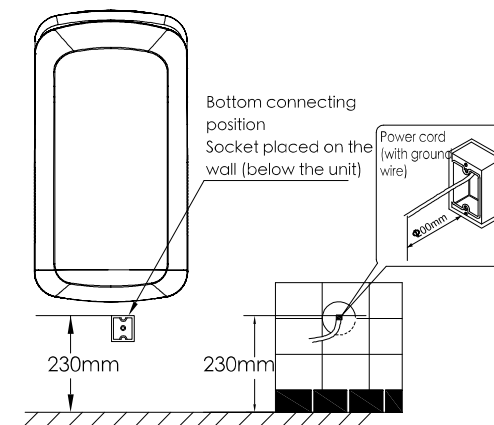
1. Please install the position shown in page 9. If the unit is installed too low, water may get on it when the floor is being cleaned.(The bottom of the unit must be at least 150mm higher than the floor or any objects under it)
2. The left side if the unit must be at least 150mm away from any walls due to the power switch is located on the left.
3. Ensure there are no mirrors or walls near the right side, as drops of water may splatter to the right when drying hands.(Recommended distance is at least 100mm)
4. Avoid locations where people or doors might bump into the unit.
5. Choose a completely flat surface on the wall to install the unit.

There are two methods to connect the power supply.

### (1) Power cord with plug



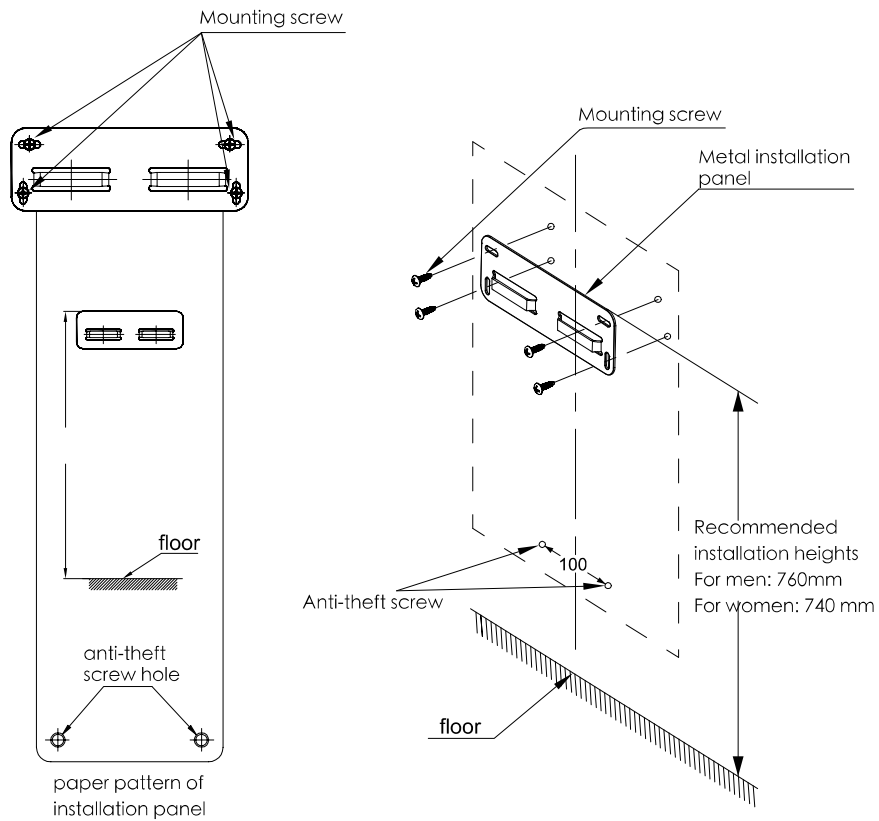
### (2) Power cord with no plug (cut-off plug). Directly connected to the socket :



## Installation Procedures

### ■ Installation location

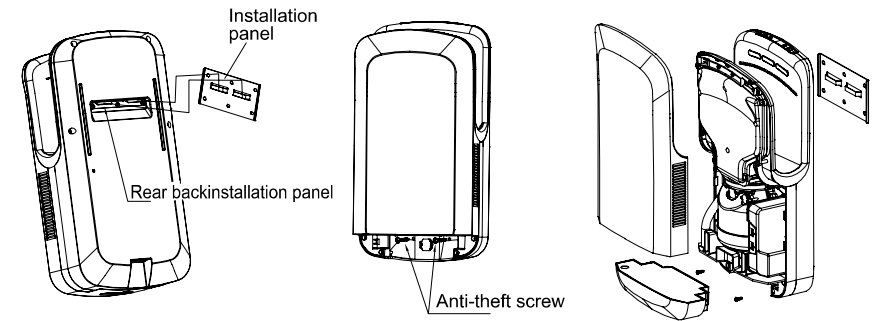
- Fix the installation panel to the wall, as shown in the below figure.
- The installing method for the installation panel:  
Choose the power connection method, then mark the position according to the size of the paper pattern of the installation panel, drill the external diameter  $\Phi 6$  screw holes.
- After drilling the screw holes, insert the rubber plug (attached with the unit) in the screw hose.
- Fix the installation panel with the mounting screws, as shown the below figure.



## Installation Procedures

### ■ Installation position

- After fixing the installation panel, you can use hang hook in the rear cover of unit to hang the unit on the wall, as shown the left diagram.
- After hanging the unit on the wall, lock the two anti-theft screws at the bottom, as shown in the following figure.



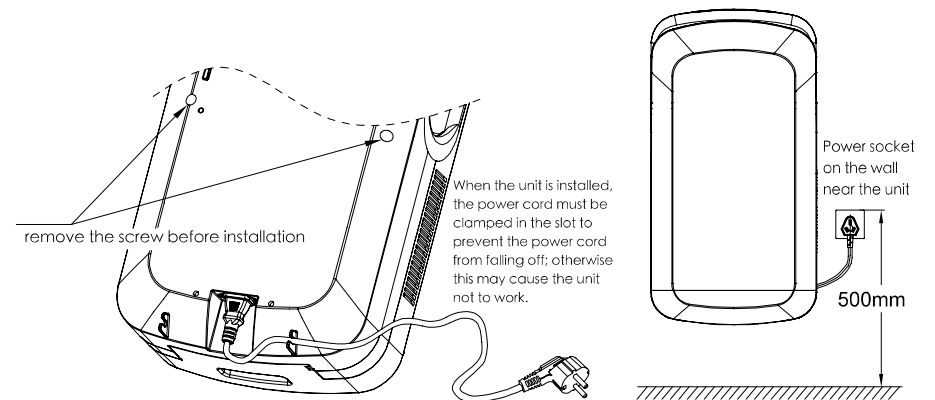
### ■ Power connection

- Use a single-phase 220-240V power.
- A single wire (cable core: between 2.0mm<sup>2</sup> and 2.5mm<sup>2</sup>) is being used for the power cable.

※The first method of power line connection (pluggable):

At first, fix the socket near to the unit installation position. Then, plug one end of the power cord into the unit, and plug the other end into a socket on the wall.

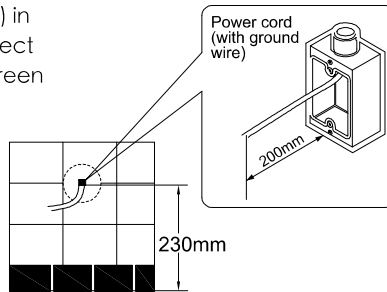
Note! The power cord must be fixed in the wiring slot in the back of the unit.



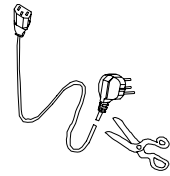
※ The second method of power connection (cut-off plug)

1

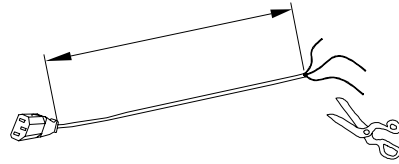
Embed the switch box (with no cover) in the installation position, used to connect the power line (the combination of green and yellow wires is ground wire). If not using the switch box, the power supply line will be squeezed out of the unit body and cannot be fixed firmly.



2

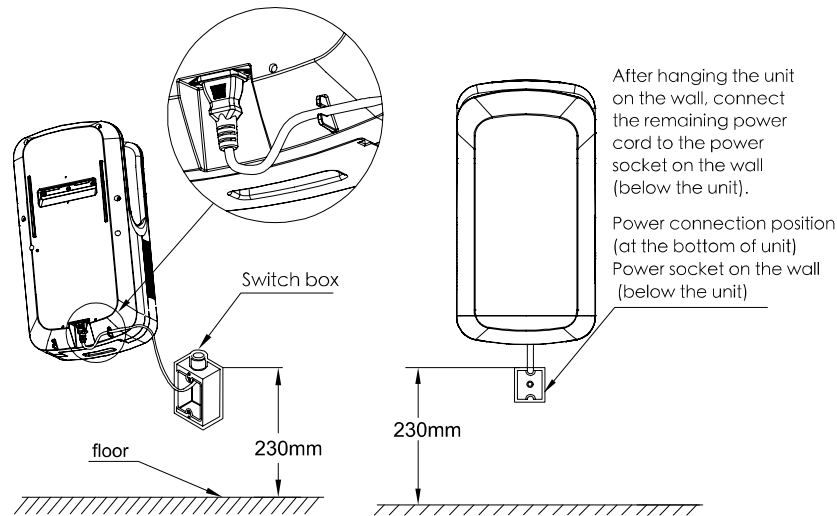


Cut off the plug of the power cord



Remain about 30cm long power cord connecting to the unit

3



## Test Run

Step	Check	Result
Check the voltage of power supply	Does use the 220V rated voltage?	
Turn the ground — fault circuit breaker on		
Turn the power switch on	Does the power indicator light up?	
Dry hands	Is the air blowing?	
Check the unit	Is the unit installed firmly? Any vibration or strange noise	

Do not turn the unit power switch on with your hands inside.

If the self-check indicator in the display lights or is flashing, turn off the power switch off, and turn the power back on when all the indicators go off (after 40 seconds).

## Using the Unit

Before starting to use, turn on the power switch.

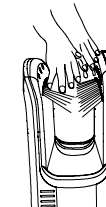
The power indicator lights up. The lamp lights up. The functional indicator lamps light.



- Stretch out both hands and insert them all the way in. The unit starts to run automatically.



- Pull them out slowly, letting the air blow the water off.



- Pull them out completely.
- Stay 6 - 7 seconds.

### Special reminder:

The heating wire will starts automatically when the ambient temp. is below 20°C . The heating will be OFF automatically, when the ambient temp. is higher than 20 degree. If the hot air is needed, then press the forced heating switch to start.

## Cleaning the unit body

Before it gets obviously dirty.

The antibacterial coating is effective when the bacteria exposed the coated surfaces.


The antibacterial coating becomes not effective when the surfaces get very dirty.

- **Clean the unit with a soft cloth**

— If the unit gets very dirty, clean with a soft cloth dampened with neutral agent, then clean with a dry soft cloth.


- **Remove the dirty from the sensor**

— To prevent malfunction, turn off the power switch.




**Warning**

Before you clean the unit, do not splatter water on the unit.



**Caution**

Wear gloves when cleaning



**Note**

1. **Only use the neutral cleaning agents**
2. **Do not use thinner, acidic or alkaline toilet cleaners, or nylon brush.**  
—Otherwise, they may damage the smoothness of surface)
3. **Only use the alcohol to clean the hand — drying area**  
—Alcohol here means the alcohol used for disinfection (The concentration is 83% or below).
4. **Do not use the unit outside of the hand — drying area**
5. **If the chemical cloths used, please read their instructions first.**

## Draining and cleaning the drain tank

Before it fills up (at least once week)

The water blown off the hands is called drain tank .

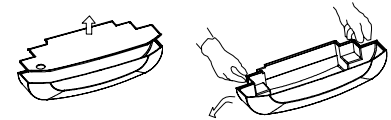
Empty the drain water at any moment, in order to prevent accumulated water from exceeding the full level.

It will start smelliness if the accumulated water remains in the tank for too long time.

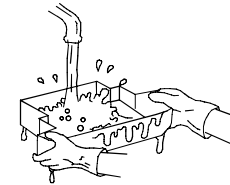


- 1 Pull the drain tank out in the horizontal direction to ensure the drain water does not splatter out.

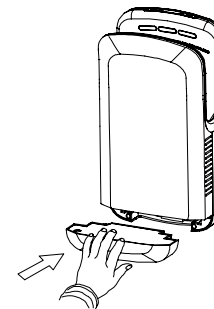
- 2 Open the lid and empty the water. Pull the lid open with your fingers upward, and then remove the lid completely.



- 3 Wash out the inside of the drain tank.



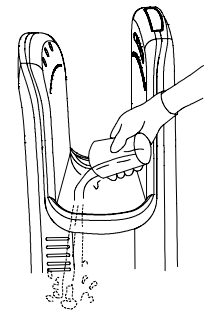
- 4 Re — attach the drain tank to the unit as original



Add 200cc (around 1 cup) of water through the drain hole.

(To prevent it from getting clogged)


Use the unit after confirming that the drain tank is in place.





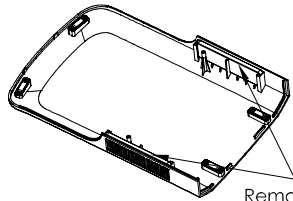
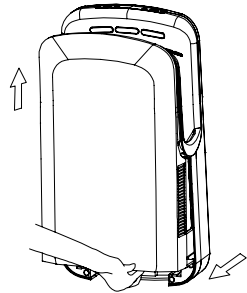
**Cleaning the air filter**

Once every two months

 <b>Note</b>	<ul style="list-style-type: none"> <li>• The cotton filter can not be washed with water.</li> <li>• Do not expose to the fire.</li> </ul>
--	---

- Remove the air filter

Press the position (shown in the figure) inward by hand, remove the front panel.



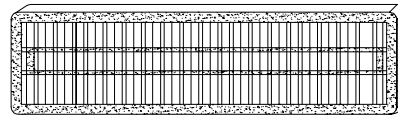
Remove the cotton filter elements (both left and right).

- Cleaning the dirty from the air filter

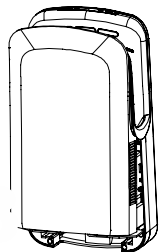
Tap gently by hand or use a vacuum cleaner to remove the dust  
If the air filter is particularly dirty, please replace it.

- Re-attach to the unit. (As the original)

Reinstall the cotton filter (both the left and right sides) securely into the securing slot in the top panel. Push it all the way inward, until it stops. (Dirt and dust may get into the unit and shorten its working life if the air filter is out of position.)



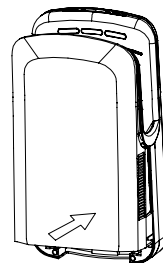
- Re-attach to the unit. (As the original)



Align the securing slot in the top, press downward it.



After confirming it in place, press down the bottom (as the arrow direction shown), until the sound "click" appears.

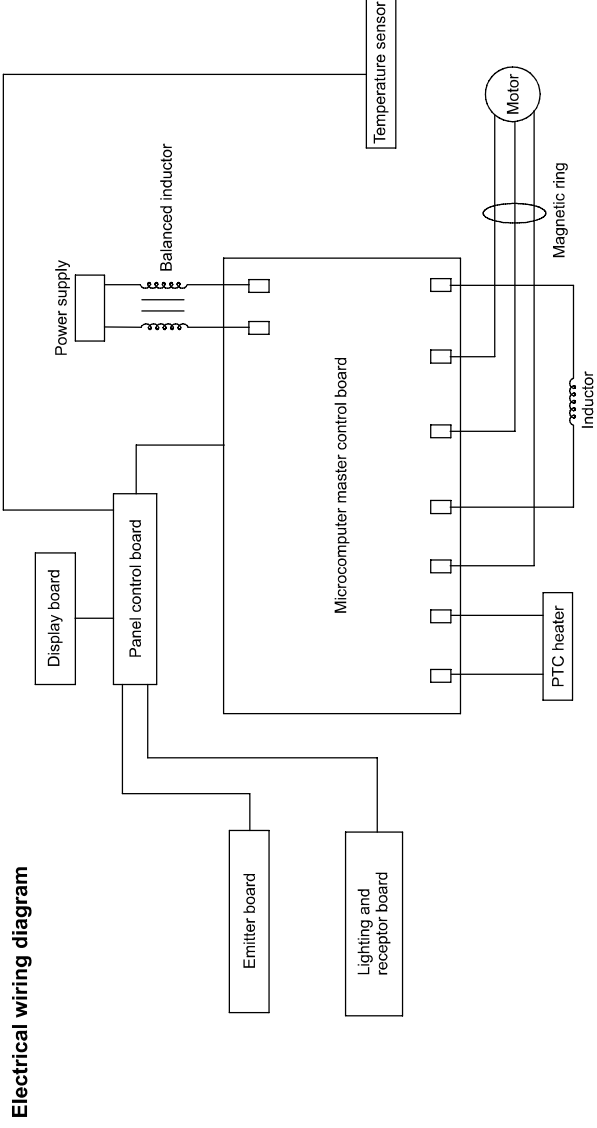


**Trouble shooting**

If you discover the following circumstance, please inspection and handling as following:

If the following problems occur, please perform checks and fix.

Problem	Check	Action
No air blows even if hands are inserted	Do the display indicators lights up? Is the power switch on? Are you putting your hands all the way in?	<ul style="list-style-type: none"> <li>● Turn the ground-fault circuit breaker on.</li> <li>● Turn the power switch on.</li> <li>● Put hands all the way in.</li> </ul>
The unit does not stop blowing	Is the sensor blocked by the dirt or dust?	<ul style="list-style-type: none"> <li>● Turn the power switch off, and then, after all the lamps in the display have gone off, remove the dust matter. Then turn on the power switch.</li> </ul>
No hot air comes out	Heater is built-in, is the heater sensor dirty?	<ul style="list-style-type: none"> <li>● Is the room temperature over 20 degree Turn the power switch off. Remove the front panel, then remove the cover of terminal box. check the fuse (terminal connector) whether burnt or not.</li> </ul>
Indicator light is flashing	If the power supply problems occur,the indicator lights up and is flashing.	<ul style="list-style-type: none"> <li>● Turn the power switch off. Check all the indicators in the display area have gone off (around 40 seconds), then turn on the power switch again.</li> </ul>
No power		<ul style="list-style-type: none"> <li>● Turn off power, take down the machine and ask the technician to replace the power cable.</li> </ul>
<p>If the above actions do not work, turn off the power and the ground-fault circuit breaker, and call your dealer to inspect and repair it if necessary. (Costs are as per agreement with the dealer)</p>		



Check the malfunction ○ light ● go out ☆ blinking

Fault LED	Check items	Causes and treatment
●	Power / abnormal voltage	Check the power connection and confirm the voltage normal.
○		
☆	Tamper-proof timer	Sensor fault, continuous operation, check whether or not the sensor is blocked.