

Installation and User Manual

ECOFLEX ET



CONVECTION HEATER INSTALLATION

Please read these instructions before commencing installation of the heater.

Disconnect the heater from the mains before carrying out any work on it.

Keep these instructions after you have installed the appliance.

Installation, electrical connection and initial commissioning may only be performed by a person with the relevant qualifications (governed by Ordinance 50/78 Coll. in the Czech Republic).

The panels are intended for wall mounting. Please consult the manufacturer before attempting any other form of installation.

Important information regarding installation

The convection heater is a class II device and is protected against splashing water; IP 24 rating.

In bathrooms the heater must be installed in accordance with the ČSN 33 200-7-701 standard and can also be installed in zones 2 and 3 as shown in Fig. 1.

The heater's controls must not be reachable from the bath or shower.

The heater must not be placed directly under a mains socket.

The power supply of the convection heater must ensure disconnection at all poles; there must be a distance of at least 3.5mm between disconnected contacts. The precise settings of the heater are very sensitive to sudden drafts, the effect of cold tiles, etc. The location of the convection heater must therefore be selected carefully.

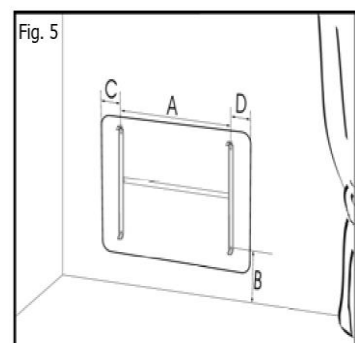
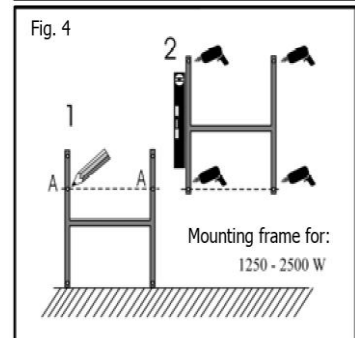
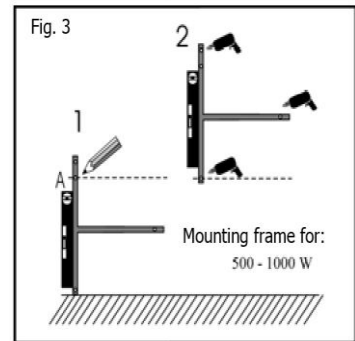
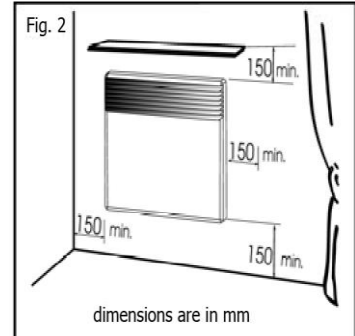
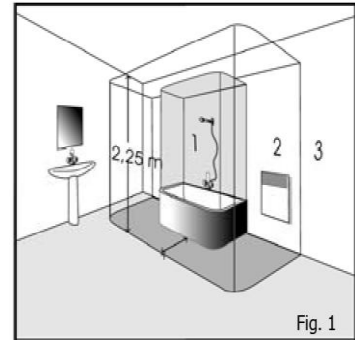
Mounting

The clearance between the bottom edge of the appliance and the floor must be not less than 15 cm. The clearance at the sides, e.g. from furniture, and in the upward direction must also be at least 15 cm. The clearances depicted in Fig. 2 must be complied with in order to ensure the convection heater operates correctly.

The heater is packed by itself in a cardboard box and is accompanied by a mounting frame. Attachment of the frame to the wall is shown in Fig. 3 and 4.

Release the mounting frame from the heater – release the locking tabs using a screwdriver.

Place the frame onto the floor (which should be in a finished state, i.e. the distance between floor and appliance will not decrease after installation of the heater) and mark out the holes labeled “A” in Fig. 3 and 4 (1). Drill the holes labeled “A” and insert wall plugs into them.



Move the mounting frame up the wall so that the bottom openings in the frame are over the wall-plugged holes labeled “A” - see Fig. 3 and 4 (2). Drill the top holes and insert wall plugs into them. Screw on the mounting frame using screws.

Distances A, C and D (see Fig. 5) vary according to the wattage of the convection heaters; see the table below. C and D describe the position of the heater in relation to the mounting frame.

P (W)	500	750	1000	1250	1500	1750	2000	2500
A (mm)	154	154	234	178	248	405	405	535
B (mm)	200	200	200	200	200	200	200	200
C (mm)	112	112	112	123	138	141	221	251
D (mm)	94	94	94	219	214	214	214	214

Electrical installation

The heater is fitted with a 3-conductor supply cable (A05VVF) for 1/N 230V/50Hz.

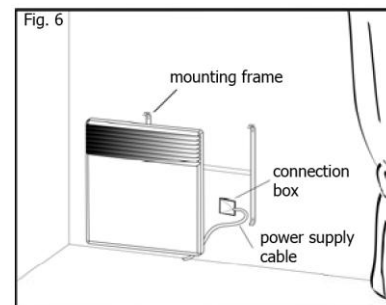
Colour marking of conductors:

Phase – brown

Neutral – blue

Pilot wire – black

The power supply cable is connected to a connection box on the wall; see Fig. 6. If no pilot wire is used, the cable must be connected to the box at a potential-free terminal. The power supply cable can only be exchanged by the manufacturer or approved servicing organization as its exchange requires special tools.



Pilot wire connection

The convection heater will operate in accordance with signals which are transmitted by the programming unit.

Heater control (Fig. 8)

Thermostat knob – allows settings ranging from frost protection up to position 9.

Switch – four functions: Stop (stand-by mode), Program, Comfort and Eco.

Heating indicator light – indicates that the heating is on.

STATUS	SIGNALS
Comfort	0 —————→
Eco	0 ~~~~~→
Anti-frost	0 ———— ———→
Stop	0 ———— ———→

PROG position – if the convection heater isn’t connected to a controller via a pilot wire, the required temperature is maintained according to the setting of the thermostat knob. In the case that the appliance is connected to a programming unit via a pilot wire, the required temperature is maintained according to the thermostat setting and the transmitted signal.

Comfort position – the required temperature is maintained according to the thermostat knob setting providing the “stop” or “anti-frost protection” signal has not been transmitted.

Eco position – temperature is maintained at a level 3.5°C lower than the thermostat knob setting, providing the “stop” or “anti-frost protection” signal has not been transmitted.

Stop position – the heating function’s stand-by mode.

Limiting or blocking thermostat movement (Fig. 9)

To limit movement to a maximum required value:

- push out and remove the pegs;
- set the scale of the knob to the maximum required value;
- screw the peg correctly into the opening marked "M";
- return the knob to the " *« position - the knob should turn freely.

To limit the range between two marks:

- proceed as described in the previous paragraph for the setting of a maximum value;
- push out and remove the second peg;
- turn the knob directly to the 'minimum' mark;
- screw the peg correctly into the opening which is on the left of the mark;
- the knob should turn freely between these two pegs.

To lock indicator rotation:

- turn the knob exactly to the required mark;
- push out and remove one of the pegs;
- screw the peg correctly into the opening marked "F";
- the knob should be blocked.

Calibration

Place a thermometer in the centre of the room, 1.2 m above the floor (shut the doors and windows).

Turn the switch to "Comfort"

Set the thermostat to maximum.

As soon as the required ambient temperature is achieved, turn the knob gently towards its minimum position until the heating indicator switches off.

After setting, the thermostat will maintain the temperature in the room and will switch the heater on and off alternately.

In order to ensure that all the heaters in the same room function correctly, set the thermostats to the same temperature.

Removing the convection heater

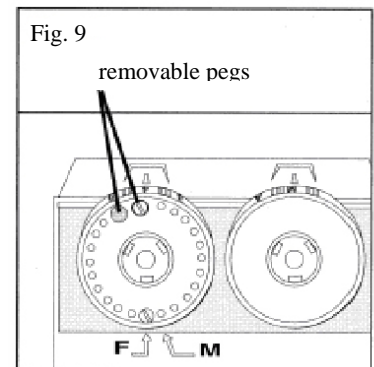
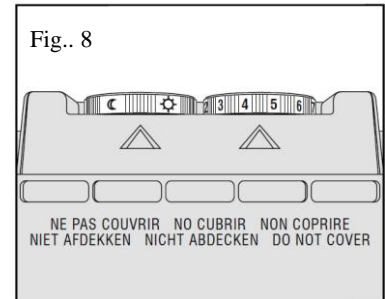
Note: This may only be carried out by a person with the relevant qualifications.

Before loosening the heater from the mounting frame, set the switch to the off position.

Loosen the bracket by using a screwdriver on the two locking tabs.

Lift the heater vertically until it is released from the bracket.

Disconnect the power supply cable from the connection box on the wall.



Economical operation

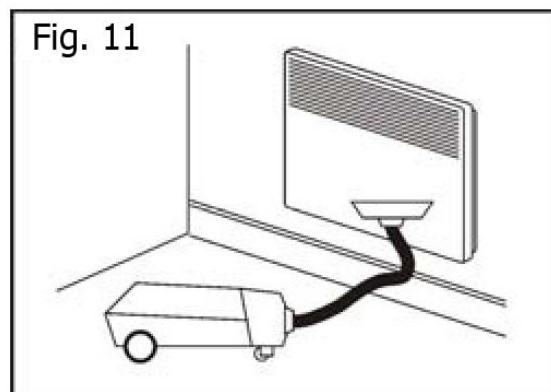
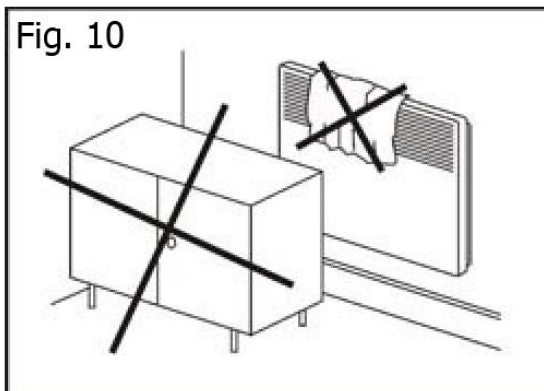
Switch off the convection heaters in a room if you are airing it for a long period. If you are not using the room, for example a guest room, or the whole house for a longer period of time (e.g. a holiday), set the knob to the * position. The temperature of the air in the room will be maintained automatically at approx. 7°C.

Important safety instructions

Do not cover the convection heater under any circumstances. The “DO NOT COVER” sign warns that any material which covers the heater can cause a fire. No furniture must be placed or curtains hung in front of the heater; see Fig. 10. Free circulation of air must be ensured. Remove dust from the inlet and outlet grill regularly - at least before the beginning of each heating season (Fig. 11).

This appliance is not meant to be used by people (including children) whose physical, sensory or mental inability or lack of experience or knowledge prevents them from using the appliance safely if they are not supervised or have not been instructed as to how to use the appliance by a person who is responsible for their safety.

Children should be supervised in order to ensure that they do not play with the appliance.



Technical specifications

Type	Wattage	Voltage	Rating	Dimensions (mm)			Weight (kg)
	(W)	(V)		Length	Height	Depth	
Ecoflex ET 500	500	1/N 230 V 50 Hz	IP24	360	400	80	3.3
Ecoflex ET 750	750			360			3.3
Ecoflex ET 1000	1000			440			3.8
Ecoflex ET 1250	1250			520			4.4
Ecoflex ET 1500	1500			600			4.9
Ecoflex ET 1750	1750			760			5.8
Ecoflex ET 2000	2000			840			6.6
Ecoflex ET 2500	2500			1000			7.55

Warranty conditions

The supplier provides a 24-month warranty from the date of sale. The warranty does not cover faults caused by transportation, careless manipulation or unqualified installation. The warranty also does not cover everyday wear and tear on the product. Any alterations carried out on the product are considered a breach of the warranty conditions. Complete warranty conditions can be found on the web pages www.fenixgroup.cz.

Confirmation of sale:

Date of sale:

Production number:

Seller:



Fenix Trading s.r.o.

Slezská 2, 790 01 Jeseník

tel.: +420 584 495 304, fax: +420 584 495 303

e-mail: fenix@fenixgroup.cz, <http://www.fenixgroup.cz>